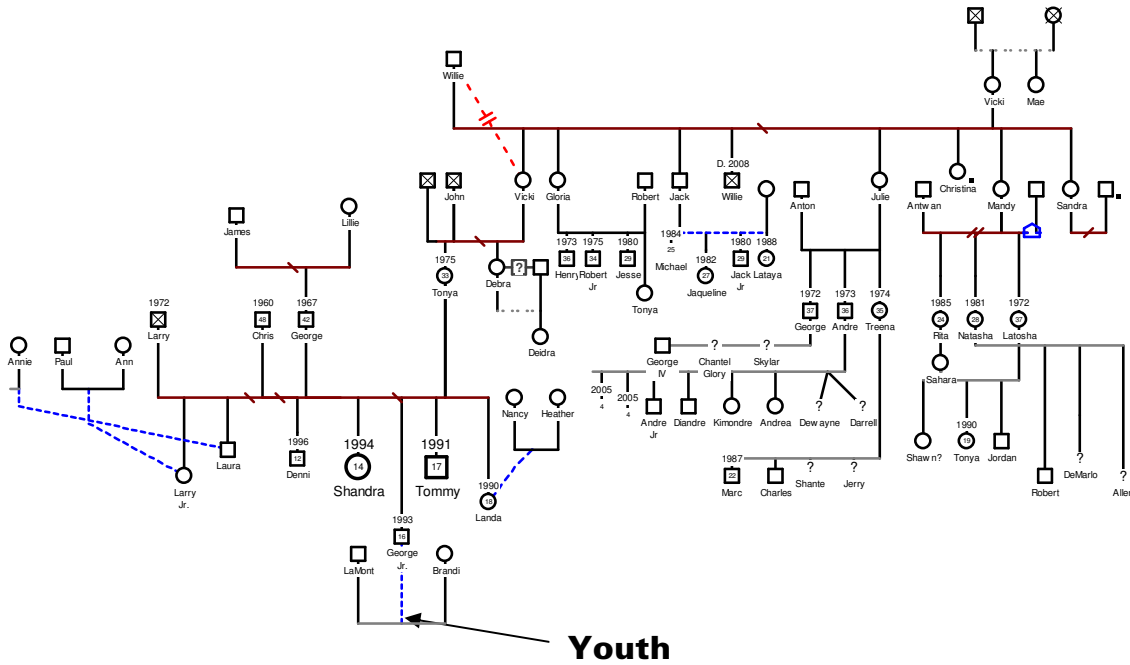
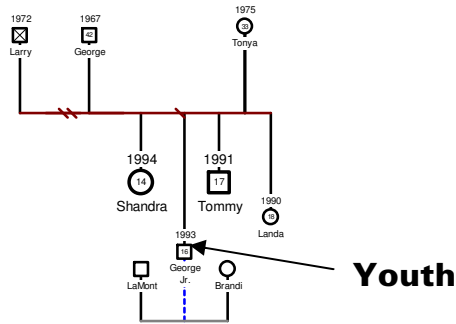


Foster & Adoptive Care Coalition

FOR EVERY CHILD... A PLACE TO CALL HOME

Genogram Examples

Before Diligent Search



After Diligent Search

Funded through a Cooperative Agreement with the Department of Health and Human Services, Administration for Children and Families, Children's Bureau, Grant # 90C010391.

www.foster-adopt.org/ExtremeRecruitment

111 North Seventh Street, Suite 402
Saint Louis, Missouri 63101

800.FOSTER.3
314.367.8373

www.foster-adopt.org
314.241.0715

Proud member of

United Way of Greater St. Louis



BBB

